



ALL SUITE FEATURES

- Available in 8 foot and 12 foot widths (*this page*)
- Ground fault circuit interrupter outlets with 120 volt AC power & weatherproof covers
- Single point electrical connection to pre-wired junction box
- Single point gas connection
- Heavy gauge welded body construction
- Stainless steel front, sides, bottom, and back
- Stainless steel curb base
- Monogrammed corner panels

Custom Countertop Option



Weatherproof Outlet GFI



Marquise Accented™ rail options



8 Foot Suite

An Outdoor Living Suite consists of multiple cutouts (*appliances sold separately*) to accommodate a:

- 36" Hestan grill
- 36" Hestan Access Door, Drawer/Door Cabinet or Sealed Pantry
- 12" Hestan Double Side Burner
- 24" Hestan Refrigeration Product



8' Model shown with stainless top / beer dispenser hole. Assembly required. GESD08

12 Foot Suites

An Outdoor Living Suite consists of multiple cutouts (*appliances sold separately*) in a 12 foot suite to accommodate a:



12' Model shown with stainless raised bar top. Assembly required. GESB12

- 42" Hestan grill
- 42" Hestan Access Door or Drawer/Door Cabinet
- 12" Hestan Double Side Burner
- 16" Double Drawers
- 20" Trash and Recycle Center Storage Drawer
- Trash Chute with Cover
- 24" Refrigeration Product

ALL OPTIONS & ACCESSORIES

- Stainless steel sub-structure for stone countertop (stone countertop not included) - S, SB models
- Fully welded 1-piece stainless countertop - SD, SS models
- Beverage Dispenser Hole - SD, SDB models
- Fully welded 1-piece stainless raised bar with Marquise Accented™ bellybar, stainless backsplash with electrical outlets and waterproof outlet covers (one in 8 foot and two in 12 foot suite) - SSB, SDB models
- Marquise Accented™ footrail standard on 8ft and 12ft raised bar models - SSB, SDB models
- Outdoor Living Suite covers



OUTDOOR LIVING SUITE

All Suite Features

- Available in 12 foot widths (*this page*)
- Ground fault circuit interrupter outlets with 120 volt AC power & weatherproof covers
- Single point electrical connection to pre-wired junction box
- Single point gas connection
- Heavy gauge welded body construction
- Stainless steel front, sides, bottom and back
- Stainless steel curb base
- Monogrammed corner panels

Custom Countertop Option



Weatherproof Outlet GFI

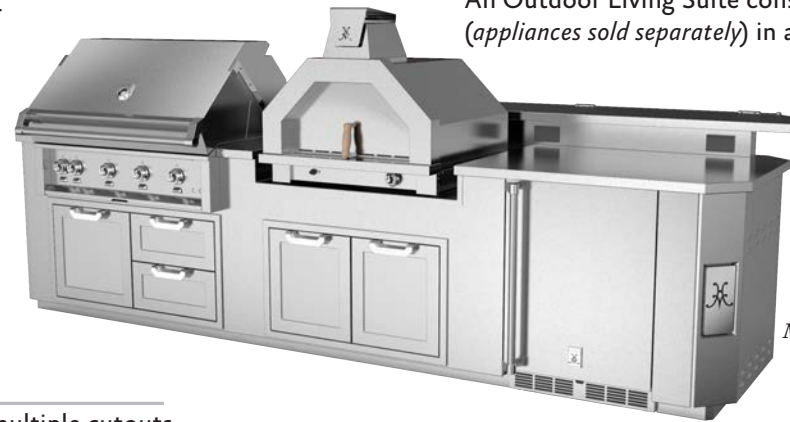


Marquise Accented™ rail options



12 Foot Campania Pizza Suite

An Outdoor Living Suite consists of multiple cutouts (*appliances sold separately*) in a 12 foot suite to accommodate a:



Model as Shown
GESSBC12

- 42" Hestan grill
- 42" Hestan Access Door or Drawer/Door Cabinet
- 33" Pizza Oven
- 36" Access Door or Drawer/Door Cabinet, or Sealed Pantry
- 24" Refrigeration Product

12 Foot Smoker Suite

An Outdoor Living Suite consists of multiple cutouts (*appliances sold separately*) in a 12 foot suite to accommodate a:

- 42" Hestan grill
- 42" Hestan Access Door or Drawer/Door Cabinet
- 36" Egg Shaped Smoker/ Grill Platform
- 30" Storage Drawer or Warming Drawer
- 24" Refrigeration Product



Model as Shown
GESDBK12

ALL OPTIONS & ACCESSORIES

- Stainless steel sub-structure for stone countertop (stone countertop not included) - S, SB models
- Fully welded 1-piece stainless countertop - SD, SS models
- Beverage Dispenser Hole - SD, SDB models
- Fully welded 1-piece stainless raised bar with Marquise Accented™ bellybar, stainless backsplash with electrical outlets and waterproof outlet covers - SSB, SDB models (one in 8 foot and two in 12 foot suite)
 - Marquise Accented™ footrail standard on 8ft and 12ft raised bar models - SSB, SDB models
 - Outdoor Living Suite covers

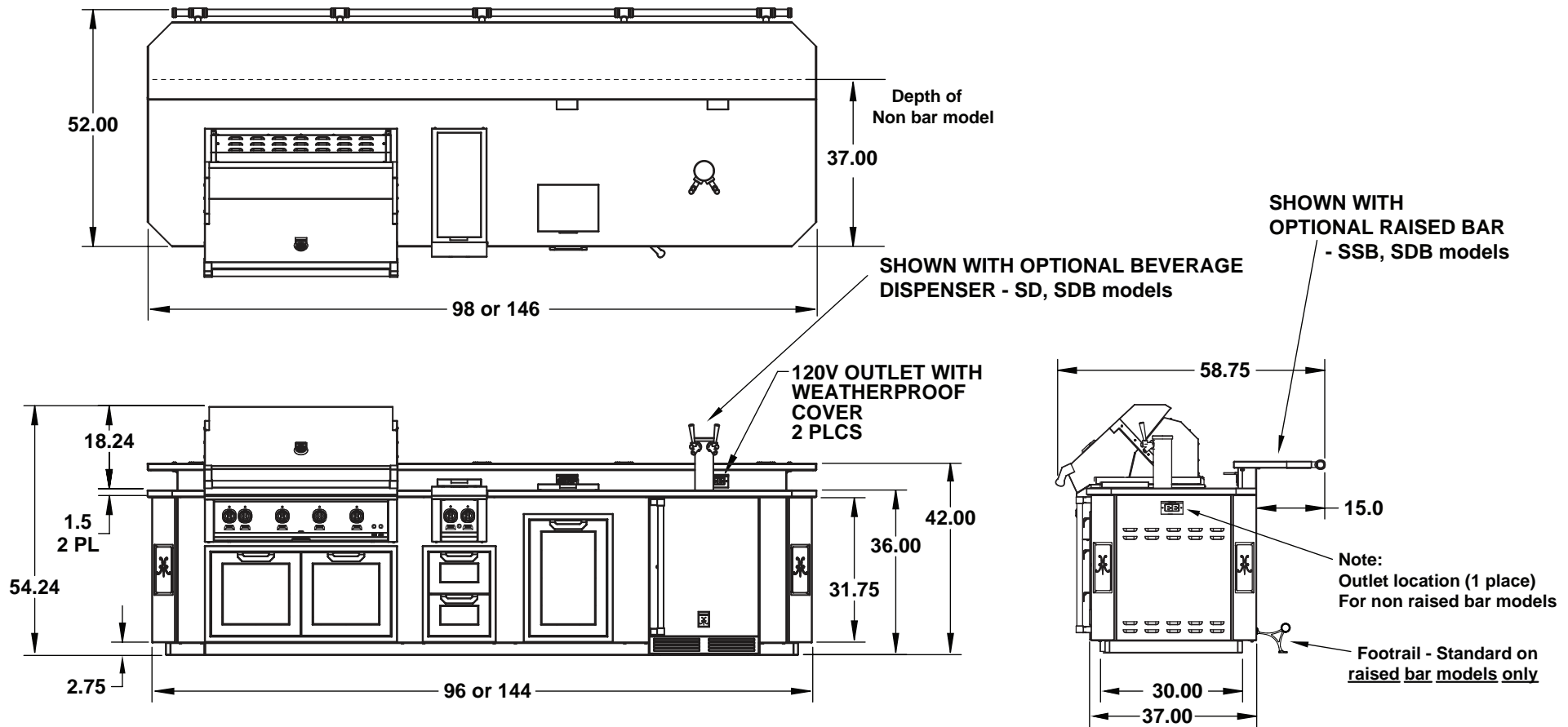
12 Power Burner Suite

An Outdoor Living Suite consists of multiple cutouts (*appliances sold separately*) in a 12 foot suite to accommodate a:

- 42" Hestan grill
- 42" Hestan Access Door or Drawer/Door Cabinet
- 24" Power Burner
- 30" Storage Drawer or Warming Drawer
- 24" Refrigeration Product



Model as Shown
GESDP12



INSTALLATION/ASSEMBLY SHOULD BE PERFORMED BY A QUALIFIED SERVICE TECHNICIAN OR PROFESSIONAL OUTDOOR EQUIPMENT INSTALLER. THE ELECTRICAL COMPONENTS SUPPLIED WITH SUITES MUST BE INSTALLED BY A LICENSED ELECTRICIAN AND CONNECTED IN ACCORDANCE WITH LOCAL CODES. GAS CONNECTIONS MUST BE MADE BY A LICENSED PLUMBER IN ACCORDANCE WITH LOCAL CODES.

| Built - In Models | Description | Weight* (lbs) | __ = top surface options |
|-------------------|--|---------------|--------------------------|
| GE __8 or GE__12 | 8' or 12' Cooking Suite | 650 /940 | |
| GE__P12 | 12' Cooking Suite with Power Burner | 940 | |
| GE__K12 | 12' Cooking Suite with Egg Shaped Smoker/Grill | 940 | |
| GE__C12 | 12' Cooking Suite with Campania Pizza Oven | 940 | |

S: no top (user-supplied stone top)
 SD: ss top w/ beer dispenser
 SS: ss top
 SSB: ss top w/bar
 SDB: ss top w/bar and beer dispenser
 SB: no top w/ bar (user-supplied stone top & bar)

GAS REQUIREMENTS : 1/2" NPT gas connection. Minimum gas supply is 7" water column for natural gas and 11" for propane. Operating pressure at the manifold is 4" water column for natural gas and 10" for propane.

All units require a regulated gas supply. (included with appliances)

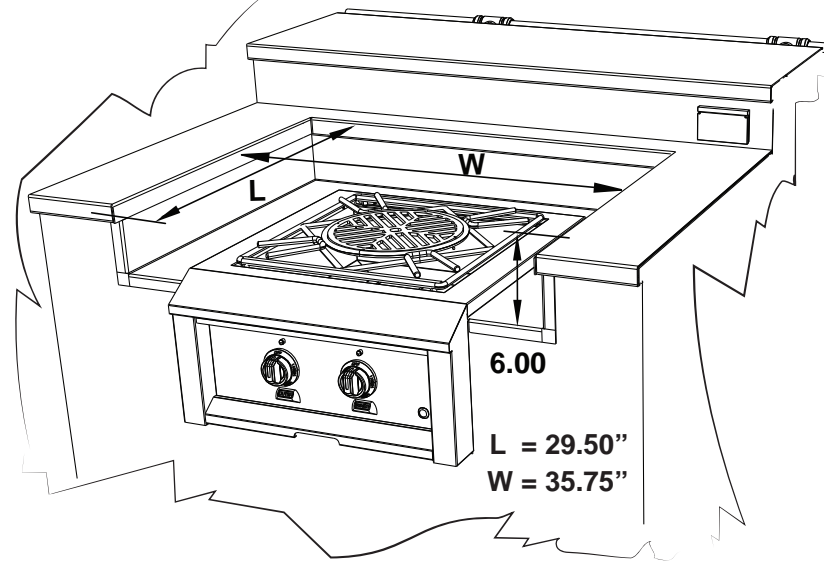
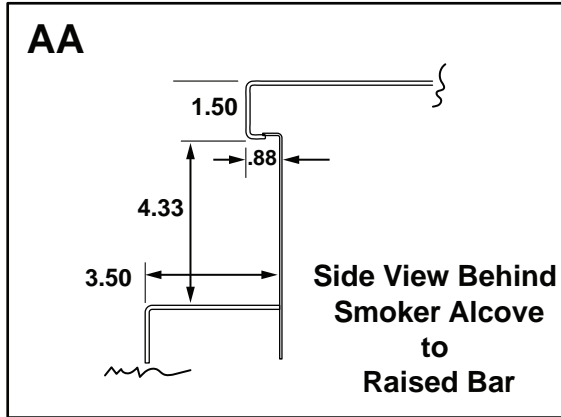
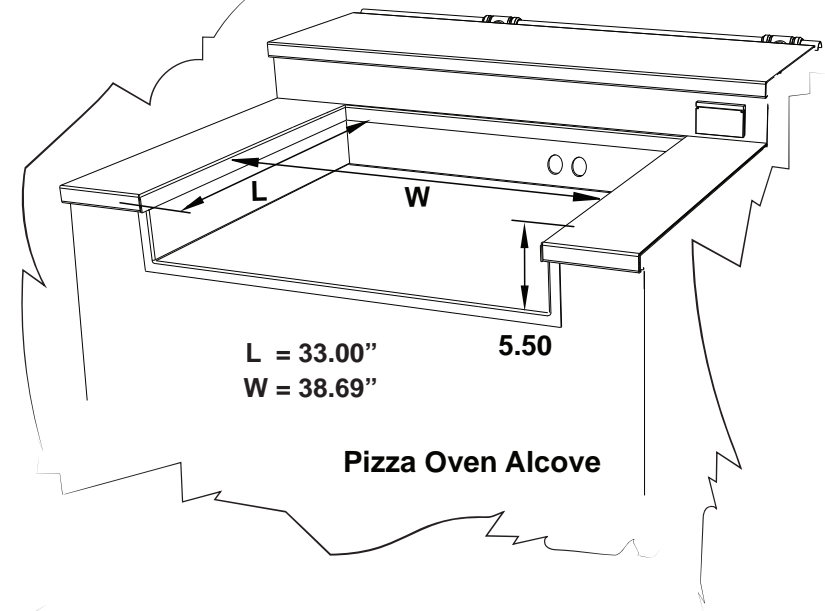
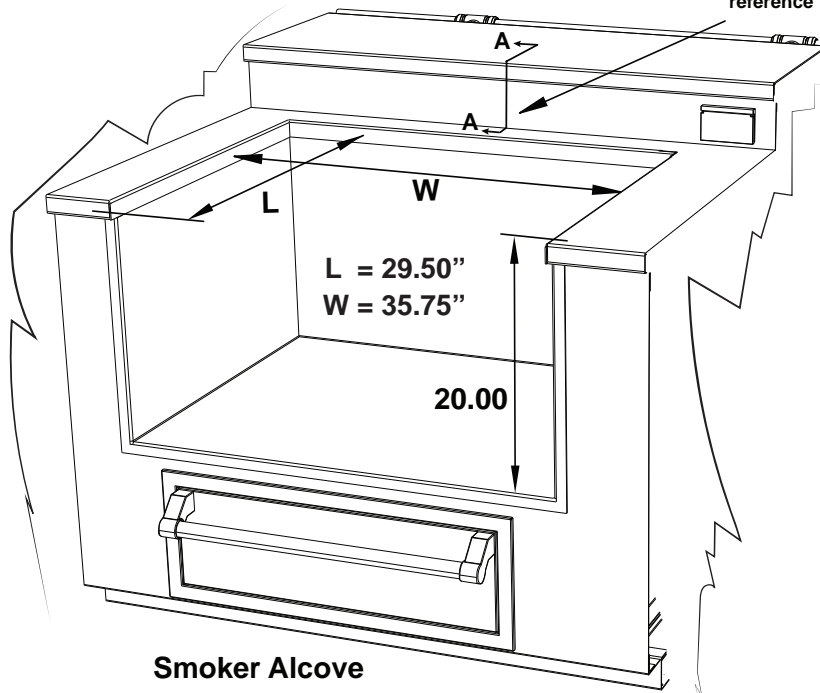
ELECTRICAL REQUIREMENTS : 120V, 60Hz, 20 amp circuit breaker from main service panel

Hestan Outdoor products are approved for outdoor use only. Hestan Commercial Corporation reserves the right to change materials and specifications without notice. Please reference our installation instructions for more elaborate detail and as the main source in your dimensional planning. Specify type of gas when ordering.

* Note : Weights are approximate depending with or without tops or elevated bar top. The unit ships in pieces and assembly is required. Appliances not included.



See Drawing AA for hinge clearance reference



All Dimensions are in Inches